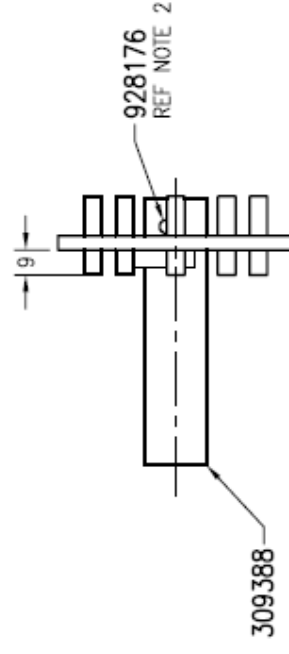
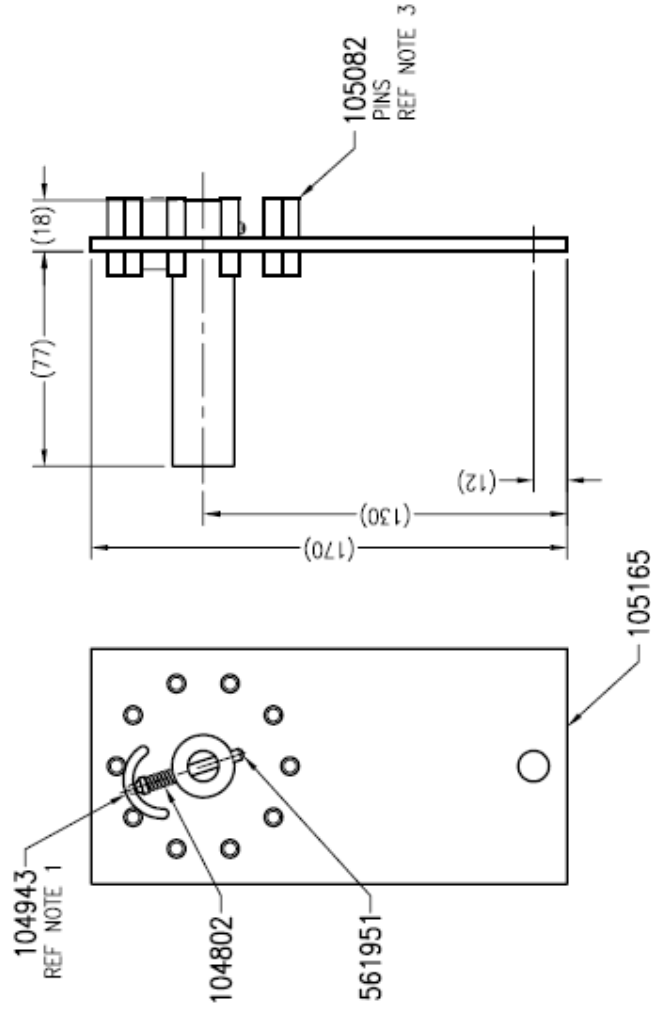


TECHNICAL DATASHEET

Insulect item code - 309172
Description - OCTS, 8-9 POSN, 1 PH, 22kV
Date - 16 July 2008
Version - 00

NOTE
 1 AFTER ASSY COAT CONTACT SURFACES WITH 704486 (PETROLEUM JELLY)
 2 GLUE 928176 IN PLACE WITH 280149 (PVA GLUE)
 3 UPSET CONTACT PINS TO DWG 102848/3ARA DET A



30 Staple Street, Seventeen Mile Rocks, QLD 4073, Brisbane, Australia

Ph +61-7-3725 5300 Fax +61-7-3279 3488

5-7 Luisa Ave, Dandenong South, VIC 3175, Melbourne, Australia

Ph +61-3-9768 3404 Fax +61-3-9768 3405

Email: sales@insulect.com Website: www.insulect.com